

Jason Gibson  
School of Timber Framing

---

221 Ferrier Road East  
Perth, Ontario K7H 3C5

Phone (613) 264-9021 • Fax (613)264-9120

## Contract Student Frame

This is a contract made this \_\_\_ day of \_\_\_\_\_, 20\_\_\_, between\_\_\_\_\_ (“client”) and Jason Gibson (1622457 Ontario Inc). The client understands that this frame was built by students under the supervision of professional timber framers and that there could be some mis-cuts. A deposit of \$1000 is required to hold the frame, balance is due on pick-up.

Basic cost	\$4500.00
HST	\$585.00

Donations	
The Nature Conservancy of Canada	\$1000.00
WaterCan	\$500.00
Stewart Park Music Festival	\$500.00
Total donations	\$2000.00

Total	<b>\$7085.00</b>
-------	------------------

### This includes:

- The 16' x 20' frame that was built by timber frame course students
- The timber frame was cut using traditional joinery techniques
- The frame will be ready for pick up one week after the course has been completed.

### **\*\*Please Note:**

- Structure is not sanded.
- Structure was constructed by students and could have mis-cuts.

### The client is responsible for:

- Shipping cost to site
- There will be additional charges for erecting the frame
- Engineer fees if required.
- GTF will store the frame for 60 days after completion. After 60 days there is a charge of 100.00 per month for storage.

Payment schedule:

Please send all cheques to Gibson Timber Frames. The donations will be forwarded on your behalf to the charities listed below with an explanation as to how the money was raised.

Cheque #1 issued to Jason Gibson	<b>\$4085.00</b>
4500.00 – 1000.00 (down payment) + 585.00 (HST)	
Cheque #2 issued to the Nature Conservancy of Canada	<b>\$1000.00</b>
Cheque #3 issued to WaterCan	<b>\$500.00</b>
Cheque #4 issued to Stewart Park Music Festival	<b>\$500.00</b>

The client understands that:

- A timber frame is a wood structure and there will be some cracking in the timbers as they dry.
- The client agrees that photos of the timber frame may be used in future advertising by Gibson Timber Frames

Date \_\_\_\_\_

\_\_\_\_\_

\_\_\_\_\_

.  
Jason Gibson

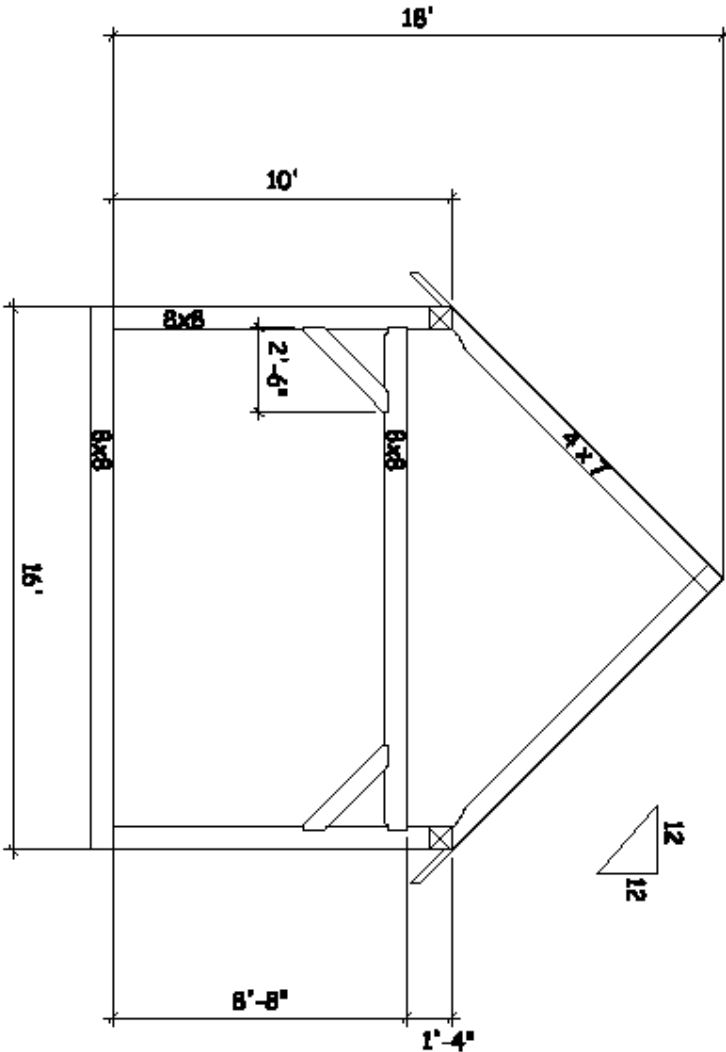
Client information:

Address: \_\_\_\_\_

Phone: \_\_\_\_\_

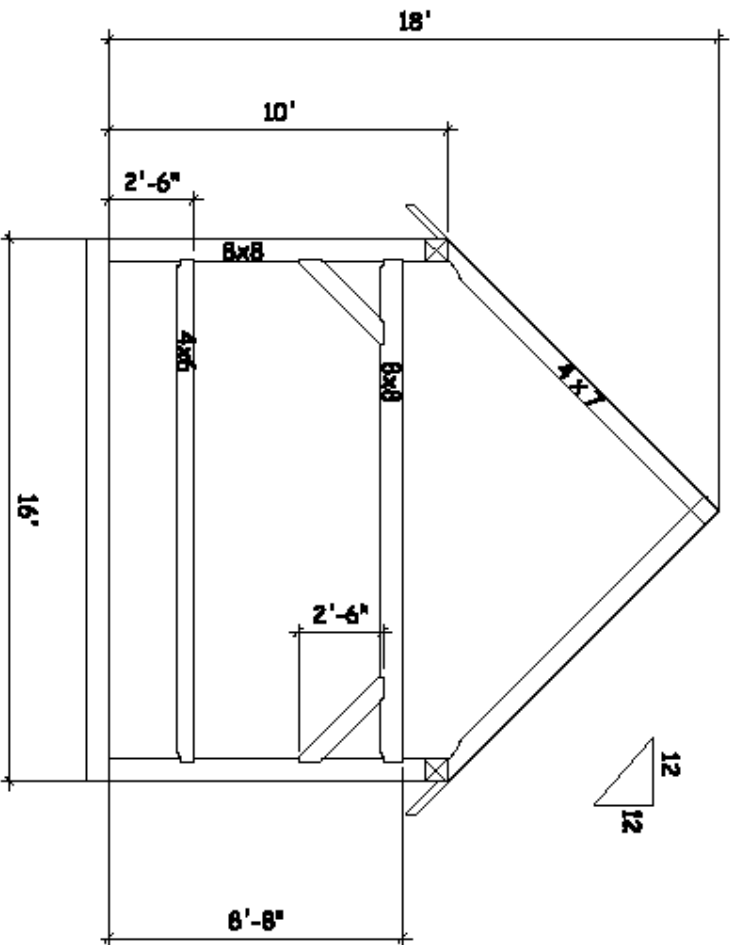
Email: \_\_\_\_\_

Drawing Package



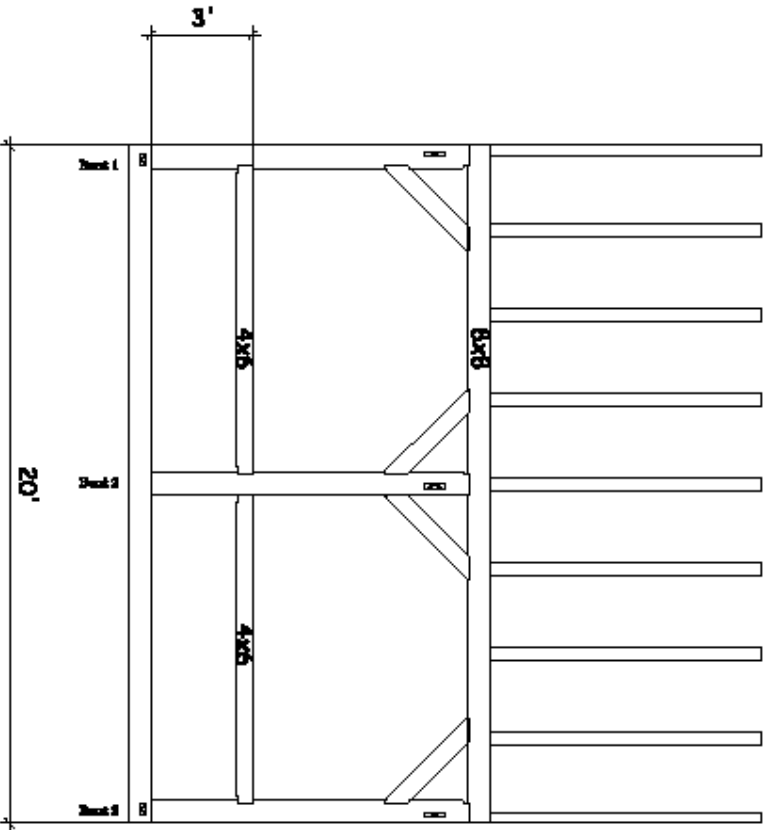
Bent 1 and 2


PROJECT NAME:	
DRAWING NAME: Bent 1 + 2	
	
FILE:	16 x 20
DATE:	April 15 2009
SCALE:	1/4" = 1' - 0"
DRAWN BY:	Jason Gibson
CHECKED BY:	
NO.	



# Bent 3

<b>PROJECT NAME:</b>	
<b>DRAWING NAME:</b> Bent 3	
	
<b>FILE:</b> 16 x 20	
<b>DATE:</b> April 15 2009	
<b>SCALE:</b> 1/4" = 1' - 0"	
<b>DRAWN BY:</b> Jason Gibson	
<b>CHECKED BY:</b>	
<b>NO.</b>	



<b>PROJECT NAME:</b>	
<b>DRAWING NAME:</b> Long Wall	
	
<b>FILE:</b> 16 x 20	
<b>DATE:</b> April 15 2009	
<b>SCALE:</b> 1/4" = 1' - 0"	
<b>DRAWN BY:</b> Jason Gibson	
<b>CHECKED BY:</b>	
<b>NO.</b>	